

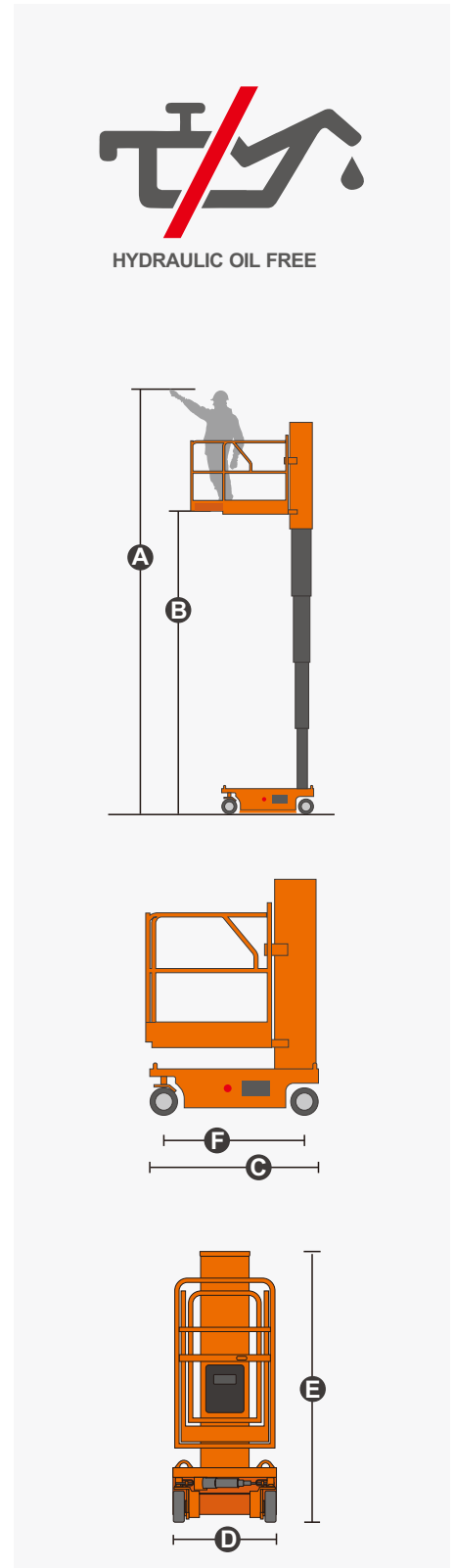
SPECIFICATIONS

| Size | Metric | British |
|---------------------------------|--------------|-----------------|
| Max.Working Height A | 6.70m | 22ft |
| Max.Platform Height B | 4.70m | 15ft 5in |
| Overall Length C | 1.45m | 4ft 9in |
| Overall Width D | 0.76m | 2ft 6in |
| Overall Height E | 1.99m | |
| Platform Size(Length/Width) | 1.00m×0.76m | 3ft 3in×2ft 6in |
| Platform Extension Size | 0.50m | 1ft 8in |
| Ground Clearance(Stowed/Raised) | 0.06m/0.014m | 2in/1in |
| Wheelbase F | 1.21m | 4ft |
| Turning Radius(Inside/Outside) | 0.60m/1.80m | 2ft/5ft 11in |
| Tyres | Φ230×80mm | Φ230×80mm |

| Performance | | |
|----------------------|-------------|-------------|
| S.W.L | 200kg | 440lb |
| S.W.L On Extension | 113kg | 249lb |
| Max. Occupants | 1 | 1 |
| Gradeability | 25% | 25% |
| Travel Speed(Stowed) | 3.6km/h | 2.20mph |
| Travel Speed(Raised) | 0.5km/h | 0.31mph |
| Max. Working Slope | X-1.5°/Y-3° | X-1.5°/Y-3° |
| Up/Down Speed | 28/28sec | 28/28sec |

| Weight | | |
|--------|-------|--------|
| Weight | 990kg | 2182lb |

| Power | | |
|---------------|----------------|----------------|
| Battery | 2×12V/115Ah | 2×12V/115Ah |
| Charger | 24VDC/15A | 24VDC/15A |
| Drive Motor | 2×24VAC/0.68kW | 2×24VAC/0.68kW |
| Lifting Motor | 24VDC/1.40kW | 24VDC/1.40kW |



FEATURES

Standard Items

- Proportional Joystick Controls
- Self-Locking Gates
- One-Way Platform Extension Deck
- Drivable At Full Height
- Non-Marking Tires
- Two-Wheel Drive
- Two-Wheel Steering
- Automatic Braking System
- Emergency Descent System
- Fault Diagnosis System
- Tilt Alarm
- Motion Alarm
- Horn
- Hour Meter
- Standard Transport Forklift Holes
- Charging Protection System
- Flashing LED Beacon
- Automatic Pothole Protection
- Drive Enable
- Charging Indicator
- Manual Brake Release
- Lanyard Attachment Point
- Tie-Down And Lifting Points
- Platform Load Sense System
- Emergency Stop Button



ZHEJIANG DINGLI MACHINERY CO., LTD.

Address: No.188 Qihang Road,Deqing,Zhejiang P.R.C 313219

Telephone: +86(572)8681688

E-Mail: export@cndingli.com

[Https://en.cndingli.com](https://en.cndingli.com)

Due to continuous technology updates, technical parameters are subject to change without notice. This picture book is for reference only, the actual product shall prevail. The copyright is owned by zhejiang dingli, any content may not be copied for any purpose without written permission.
2022-10

