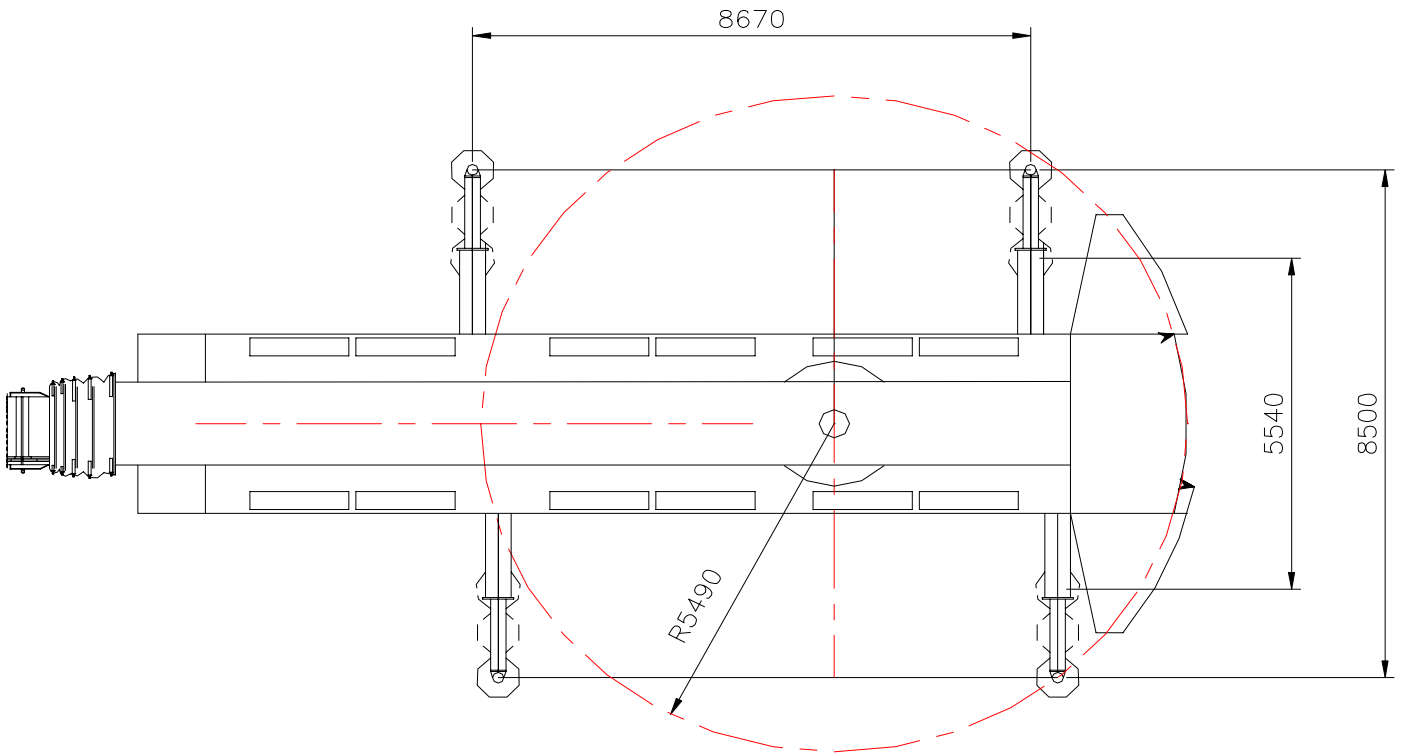
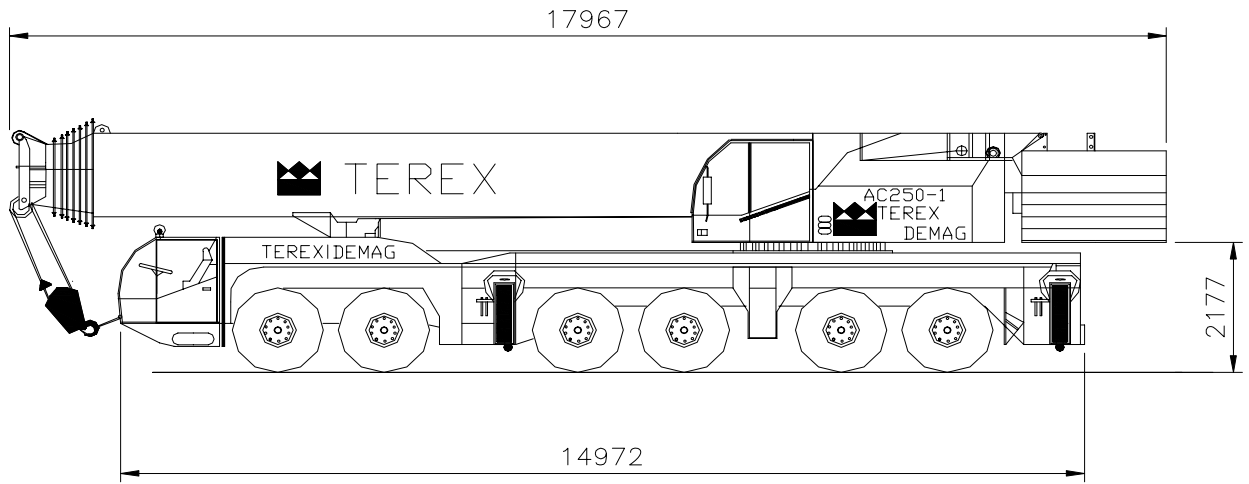


DEMAG AC 250-1

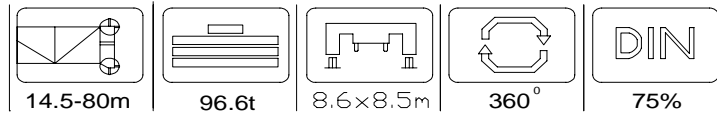
250 Te





DEMAG AC 250-1

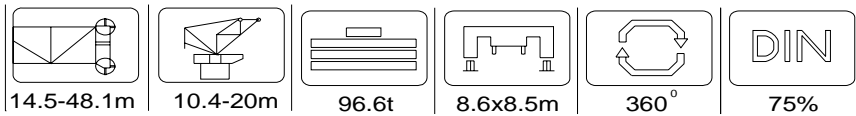
250 Te



Configuration : SH																
Radius	Boom Length (m)															Radius
m	14.5	14.5	19.3	24.1	28.9	33.7	38.5	43.3	48.1	52.9	57.7	62.5	67.3	72.1	80	m
3.0	197.3	155.0	147.0													3.0
3.5	181.8	155.0	147.0													3.5
4.0	168.4	155.0	147.0	146.5												4.0
4.5	156.7	155.0	145.0	146.0												4.5
5.0	146.4	146.4	145.0	143.0	134.5											5.0
6.0	129.2	129.2	129.0	126.0	124.0	105.5										6.0
7.0	115.3	115.3	115.5	114.0	110.5	100.5	80.4									7.0
8.0	103.9	103.9	104.0	103.0	100.0	94.5	77.5	60.2								8.0
9.0	94.4	94.4	94.7	94.0	91.1	88.8	74.6	58.3	47.4							9.0
10.0	84.4	84.4	86.6	86.1	83.5	82.8	71.6	56.7	44.4							10.0
12.0	50.7	50.7	73.7	73.2	71.3	70.8	64.8	53.4	39.1	34.2	29.3					12.0
14.0			61.3	61.9	60.9	61.6	57.7	49.7	34.2	30.6	26.9	23.5				14.0
16.0			45.8	53.2	52.2	52.9	51.5	45.9	31.0	27.1	24.4	21.6	17.9	14.4		16.0
18.0				46.9	46.4	45.5	46.5	42.2	28.4	24.8	22.0	19.9	17.3	14.4	9.1	18.0
20.0				37.0	39.6	38.9	39.6	39.3	26.1	22.4	20.2	18.1	16.1	14.2	9.1	20.0
22.0					34.3	35.3	34.2	35.3	24.7	20.0	18.5	16.8	14.8	13.5	9.1	22.0
24.0					31.5	31.0	30.7	31.0	23.3	18.3	16.7	15.6	13.9	12.8	9.1	24.0
26.0						27.4	28.4	27.4	21.9	16.9	15.1	14.3	13.0	12.1	9.1	26.0
28.0						24.8	25.5	24.4	20.5	15.8	14.0	13.0	12.1	11.4	9.1	28.0
30.0						21.0	22.9	21.9	19.5	14.8	12.9	12.1	11.2	10.7	9.0	30.0
32.0							20.8	19.8	18.7	13.9	11.8	11.2	10.4	10.0	8.5	32.0
34.0							18.4	17.9	17.8	13.3	11.1	10.3	9.7	9.3	8.0	34.0
36.0								16.3	17.0	12.7	10.5	9.5	9.0	8.7	7.5	36.0
38.0								14.9	15.6	12.1	10.0	8.8	8.4	8.2	7.1	38.0
40.0									14.3	11.4	9.5	8.3	7.7	7.6	6.6	40.0
42.0									13.2	11.0	9.1	7.9	7.0	7.1	6.2	42.0
44.0									10.7	10.6	8.6	7.5	6.6	6.6	5.8	44.0
46.0										10.2	8.2	7.1	6.3	6.0	5.4	46.0
48.0										9.9	8.0	6.7	5.9	5.7	5.0	48.0
50.0											7.7	6.4	5.5	5.3	4.6	50.0
54.0												5.9	4.8	4.7	3.9	54.0
58.0												5.4	4.4	4.0	3.4	58.0
62.0													3.9	3.5	2.8	62.0
66.0														3.0	2.3	66.0
70.0															2.0	70.0
74.0															1.6	74.0

DEMAG AC 250-1

250 Te

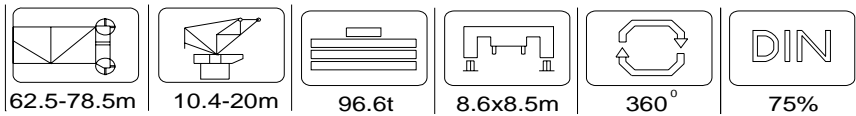


Configuration : SFVL											
Radius	Boom Length (m)										Radius
	14.5										
m	10.4					20					m
	0°	10°	20°	30°	40°	0°	10°	20°	30°	40°	
3.0	23.6										3.0
3.5	23.6										3.5
4.0	23.6										4.0
4.5	23.6										4.5
5.0	23.6	20.7				10.7					5.0
6.0	22.4	18.9				10.4					6.0
7.0	20.9	17.2	14.3			10.2					7.0
8.0	19.3	16.0	13.4	11.5		9.8	9.3				8.0
9.0	17.9	14.9	12.6	10.9	9.7	9.5	8.8				9.0
10.0	16.7	13.7	11.9	10.4	9.3	9.1	8.3				10.0
12.0	14.2	12.2	10.6	9.4	8.6	8.4	7.5	6.7			12.0
14.0	12.2	10.7	9.7	8.7	8.0	7.7	6.8	6.1	5.6		14.0
16.0	10.8	9.7	8.8	8.1	7.6	7.0	6.2	5.7	5.2		16.0
18.0	9.4	8.7	8.1	7.7	7.4	6.3	5.8	5.3	4.9	4.6	18.0
20.0	8.5	8.0	7.7	7.4	7.3	5.8	5.4	5.0	4.6	4.4	20.0
22.0		7.4	7.4			5.4	5.0	4.7	4.5	4.2	22.0
24.0						5.0	4.7	4.5	4.3	4.1	24.0
26.0						4.7	4.5	4.3	4.1	4.0	26.0
28.0						4.4	4.3	4.1	4.0	4.0	28.0
30.0						4.2	4.1	4.1	4.0		30.0
32.0											32.0
34.0											34.0
36.0											36.0
48.0											48.0
50.0											50.0

Configuration : SF											
Radius	Boom Length (m)										Radius
	48.1										
m	10.4					20					m
	0°	10°	20°	30°	40°	0°	10°	20°	30°	40°	
12.0	16.1					7.4					12.0
14.0	15.3	14.1				7.2					14.0
16.0	14.4	13.5	11.6	9.9		6.9	6.5				16.0
18.0	13.5	12.8	11.1	9.5	8.5	6.7	6.2				18.0
20.0	12.5	12.1	10.6	9.2	8.2	6.5	6.0	5.5			20.0
22.0	11.5	11.3	10.1	8.9	8.0	6.3	5.8	5.3	4.9		22.0
24.0	10.6	10.4	9.7	8.6	7.9	6.0	5.6	5.1	4.8		24.0
26.0	9.7	9.6	9.2	8.4	7.7	5.8	5.4	5.0	4.6	4.3	26.0
28.0	9.1	8.9	8.8	8.2	7.6	5.6	5.2	4.8	4.5	4.2	28.0
30.0	8.5	8.4	8.3	7.8	7.4	5.4	5.0	4.7	4.4	4.1	30.0
32.0	7.9	7.8	7.8	7.5	7.1	5.2	4.8	4.6	4.3	4.1	32.0
34.0	7.3	7.3	7.3	7.1	6.9	5.1	4.7	4.4	4.2	4.0	34.0
36.0	6.8	6.7	6.8	6.7	6.6	4.9	4.6	4.3	4.1	4.0	36.0
38.0	6.4	6.3	6.3	6.3	6.3	4.7	4.5	4.2	4.0	3.9	38.0
40.0	6.0	6.0	6.0	6.0	6.0	4.6	4.3	4.1	4.0	3.9	40.0
42.0	5.7	5.6	5.7	5.7	5.7	4.4	4.2	4.0	3.9	3.9	42.0
44.0	5.3	5.3	5.3	5.4	5.4	4.3	4.1	4.0	3.9	3.8	44.0
46.0	5.0	5.0	5.0	5.0	5.1	4.1	4.0	3.9	3.8	3.8	46.0
48.0	4.7	4.7	4.7	4.8	4.8	3.9	3.8	3.7	3.7	3.8	48.0
50.0	4.5	4.5	4.5	4.5	4.6	3.8	3.7	3.6	3.6	3.7	50.0
54.0	4.1	4.1	4.1	4.1		3.4	3.4	3.4	3.4	3.4	54.0
58.0						3.1	3.1	3.1	3.2	3.2	58.0
62.0						2.8	2.8	2.9	2.9		62.0

DEMAG AC 250-1

250 Te



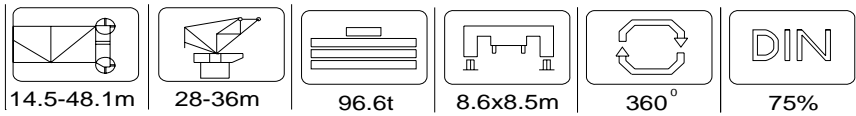
Configuration : SFVL											
Radius	Boom Length (m)										Radius
	62.5					20					
m	10.4					20					m
	0°	10°	20°	30°	40°	0°	10°	20°	30°	40°	
16.0	12.5										16.0
18.0	12.2	11.6				6.1					18.0
20.0	11.8	11.3	10.6			5.9					20.0
22.0	11.2	10.9	10.2	9.0	8.1	5.8	5.4				22.0
24.0	10.6	10.4	9.9	8.7	7.9	5.6	5.2	4.9			24.0
26.0	10.0	9.8	9.5	8.5	7.8	5.4	5.1	4.7			26.0
28.0	9.3	9.2	9.1	8.3	7.7	5.3	4.9	4.6	4.3		28.0
30.0	8.6	8.6	8.6	8.0	7.5	5.1	4.8	4.5	4.2	4.1	30.0
32.0	7.9	8.0	8.0	7.6	7.2	5.0	4.6	4.4	4.1	4.0	32.0
34.0	7.2	7.3	7.4	7.2	7.0	4.8	4.5	4.3	4.0	3.9	34.0
36.0	6.8	6.8	6.9	6.8	6.8	4.7	4.4	4.2	4.0	3.8	36.0
38.0	6.3	6.4	6.4	6.5	6.5	4.5	4.3	4.1	3.9	3.8	38.0
40.0	5.9	6.0	6.0	6.1	6.1	4.4	4.2	4.0	3.8	3.7	40.0
42.0	5.4	5.5	5.6	5.6	5.7	4.2	4.0	3.9	3.8	3.7	42.0
44.0	5.0	5.1	5.2	5.2	5.3	4.0	3.9	3.8	3.7	3.6	44.0
46.0	4.5	4.7	48.0	4.8	4.9	3.9	3.8	3.7	3.6	3.6	46.0
48.0	4.3	4.3	4.3	4.4	4.5	3.7	3.6	3.5	3.5	3.5	48.0
50.0	4.0	4.0	4.1	4.1	4.2	3.5	3.5	3.4	3.4	3.4	50.0
54.0	3.4	3.4	3.5	3.5	3.5	3.2	3.2	3.1	3.2	3.2	54.0
58.0	2.8	2.9	2.9	2.9	2.9	2.7	2.8	2.9	2.9	3.0	58.0
62.0	2.4	2.4	2.5	2.5	2.5	2.3	2.4	2.4	2.5	2.5	62.0
66.0	2.0	2.1	2.1	2.0	2.0	1.8	1.9	2.0	2.1	2.1	66.0
70.0						1.5	1.6	1.6	1.6	1.6	70.0
74.0						1.3	1.3	1.3	1.3	1.2	74.0
78.0							1.0	1.0			78.0

Configuration : SF											
Radius	Boom Length (m)										Radius
	78.5										
m	10.4					20					m
	0°	10°	20°	30°	40°	0°	10°	20°	30°	40°	
20.0	6.0										20.0
22.0	6.0					3.5					22.0
24.0	6.0	6.0				3.5					24.0
26.0	6.0	6.0	6.0			3.5	3.4				26.0
28.0	6.0	6.0	6.0	6.0	6.0	3.5	3.4				28.0
30.0	6.0	6.0	6.0	6.0	6.0	3.5	3.4	3.4			30.0
32.0	6.0	6.0	6.0	6.0	6.0	3.5	3.4	3.4			32.0
34.0	5.8	6.0	6.0	6.0	6.0	3.5	3.4	3.4	3.4		34.0
36.0	5.6	5.8	5.9	5.9	6.0	3.5	3.4	3.4	3.4	3.4	36.0
38.0	5.3	5.4	5.6	5.7	5.8	3.5	3.4	3.4	3.4	3.4	38.0
40.0	5.0	5.1	5.3	5.4	5.5	3.4	3.4	3.4	3.4	3.4	40.0
42.0	4.8	4.8	5.0	5.1	5.1	3.4	3.3	3.4	3.4	3.3	42.0
44.0	4.5	4.5	4.7	4.7	4.8	3.3	3.3	3.3	3.3	3.3	44.0
46.0	4.2	4.2	4.3	4.4	4.5	3.3	3.2	3.3	3.2	3.2	46.0
48.0	3.9	4.0	4.0	4.1	4.1	3.2	3.1	3.2	3.1	3.2	48.0
50.0	3.7	3.7	3.8	3.8	3.9	3.2	3.1	3.1	3.1	3.1	50.0
54.0	3.1	3.2	3.2	3.3	3.3	2.8	2.9	2.9	2.9	2.9	54.0
58.0	2.6	2.7	2.7	2.8	2.8	2.4	2.5	2.6	2.7	2.7	58.0
62.0	2.1	2.2	2.2	2.3	2.3	2.0	2.1	2.2	2.3	2.3	62.0
66.0	1.7	1.8	1.8	1.9	1.9	1.6	1.7	1.8	1.9	1.9	66.0
70.0	1.3	1.4	1.4	1.4	1.4	1.2	1.3	1.4	1.5	1.5	70.0
74.0				1.0	1.0			1.1	1.1	1.2	74.0
78.0											78.0
82.0											82.0
86.0											86.0

All Dimensions in meters,Capacities in metric tonnes.
For reference purposes only

DEMAG AC 250-1

250 Te

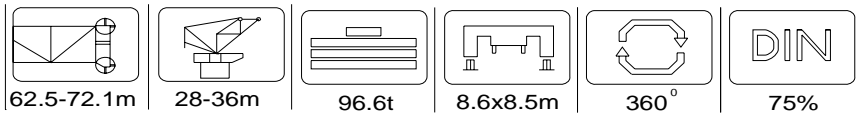


Configuration : SF												
Radius		Boom Length (m)									Radius	
		14.5										
m		28					36					m
		0°	10°	20°	30°	40°	0°	10°	20°	30°	40°	
6.0	9.2											6.0
7.0	9.0											7.0
8.0	8.8						7.5					8.0
9.0	8.6						7.2					9.0
10.0	8.4	8.1					6.9					10.0
12.0	7.8	7.5					6.3	6.2				12.0
14.0	7.2	6.8	6.4				5.7	5.6				14.0
16.0	6.5	6.3	5.9	5.4			5.2	5.1	4.9			16.0
18.0	6.0	5.7	5.4	5.1	4.7		4.7	4.6	4.5	4.4		18.0
20.0	5.5	5.2	5.0	4.8	4.5		4.3	4.2	4.1	4.0	3.9	20.0
22.0	5.1	4.9	4.6	4.5	4.3		3.9	3.8	3.8	3.7	3.6	22.0
24.0	4.6	4.5	4.3	4.2	4.1		3.6	3.5	3.4	3.4	3.3	24.0
26.0	4.3	4.1	4.1	4.0	3.9		3.3	3.2	3.2	3.1	3.1	26.0
28.0	4.0	3.9	3.0	3.7	3.7		3.0	3.0	2.9	2.9	2.9	28.0
30.0	3.7	3.7	3.6	3.5	3.5		2.8	2.7	2.7	2.7	2.7	30.0
32.0	3.5	3.4	3.4	3.3	3.3		2.6	2.5	2.5	2.5	2.5	32.0
34.0	3.3	3.2	3.2	3.2	3.2		2.4	2.3	2.3	2.3	2.3	34.0
36.0	3.1	3.1	3.1	3.1	3.1		2.2	2.2	2.1	2.2	2.2	36.0
38.0	2.9	3.0	3.0	3.1			2.0	2.0	2.0	2.0	2.0	38.0
40.0							1.9	1.9	1.9	1.9	1.9	40.0
42.0							1.8	1.8	1.8	1.8	1.8	42.0
44.0							1.7	1.7	1.7	1.7	1.8	44.0
46.0							1.6	1.6	1.6	1.7		46.0
48.0												48.0
50.0												50.0

Configuration : SF												
Radius		Boom Length (m)									Radius	
		48.1										
m		28					36					m
		0°	10°	20°	30°	40°	0°	10°	20°	30°	40°	
16.0	5.9											16.0
18.0	5.8						4.2					18.0
20.0	5.6	5.3					4.1					20.0
22.0	5.3	5.1	4.7				3.9	3.7				22.0
24.0	5.1	4.8	4.5				3.7	3.5				24.0
26.0	4.9	4.6	4.4	4.1			3.5	3.4	3.2			26.0
28.0	4.7	4.4	4.2	4.0	3.8		3.3	3.2	3.0	2.9		28.0
30.0	4.5	4.3	4.0	3.8	3.7		3.2	3.0	2.9	2.8	2.7	30.0
32.0	4.3	4.1	3.9	3.7	3.6		3.0	2.9	2.7	2.7	2.6	32.0
34.0	4.1	3.9	3.7	3.6	3.5		2.8	2.7	2.6	2.5	2.5	34.0
36.0	4.0	3.8	3.6	3.5	3.4		2.7	2.6	2.5	2.4	2.4	36.0
38.0	3.8	3.6	3.5	3.4	3.3		2.5	2.5	2.4	2.3	2.3	38.0
40.0	3.7	3.5	3.3	3.2	3.2		2.4	2.3	2.3	2.2	2.2	40.0
42.0	3.6	3.4	3.2	3.1	3.1		2.3	2.2	2.2	2.1	2.1	42.0
44.0	3.4	3.3	3.2	3.1	3.0		2.2	2.1	2.0	2.0	2.0	44.0
46.0	3.3	3.2	3.1	3.0	3.0		2.1	2.0	2.0	1.9	1.9	46.0
48.0	3.2	3.1	3.0	2.9	2.9		2.0	1.9	1.9	1.9	1.9	48.0
50.0	3.0	2.9	2.9	2.9	2.9		1.9	1.9	1.8	1.8	1.8	50.0
54.0	2.7	2.7	2.7	2.7	2.7		1.7	1.7	1.7	1.7	1.7	54.0
58.0	2.4	2.4	2.4	2.5	2.5		1.6	1.5	1.5	1.5	1.6	58.0
62.0	2.2	2.1	2.2	2.2	2.3		1.5	1.4	1.4	1.4	1.5	62.0
66.0	1.9	1.9	2.0	2.0	2.0		1.3	1.3	1.3	1.3	1.4	66.0
70.0	1.7	1.7	1.7	1.8			1.2	1.2	1.2	1.3	1.3	70.0
74.0							1.0	1.1	1.1	1.1	1.1	74.0
78.0												78.0

DEMAG AC 250-1

250 Te



Configuration : SF											
Radius		Boom Length (m)									Radius
		62.5									
m	28					36					m
	0°	10°	20°	30°	40°	0°	10°	20°	30°	40°	
20.0	4.7										20.0
22.0	4.7					3.1					22.0
24.0	4.6	4.5				3.1					24.0
26.0	4.5	4.3				3.1	3.0				26.0
28.0	4.4	4.2	4.0			3.0	2.9				28.0
30.0	4.2	4.0	3.8	3.7		2.9	2.8	2.7			30.0
32.0	4.1	3.9	3.7	3.6	3.4	2.8	2.7	2.6	2.5		32.0
34.0	4.0	3.8	3.6	3.5	3.3	2.6	2.6	2.5	2.4	2.3	34.0
36.0	3.8	3.6	3.5	3.3	3.3	2.5	2.4	2.4	2.3	2.2	36.0
38.0	3.7	3.5	3.4	3.2	3.2	2.4	2.3	2.2	2.2	2.2	38.0
40.0	3.6	3.4	3.3	3.1	3.1	2.3	2.2	2.1	2.1	2.1	40.0
42.0	3.5	3.3	3.2	3.1	3.0	2.2	2.2	2.1	2.0	2.0	42.0
44.0	3.3	3.2	3.1	3.0	3.0	2.1	2.1	2.0	1.9	1.9	44.0
46.0	3.2	3.1	3.0	2.9	2.9	2.0	2.0	1.9	1.9	1.9	46.0
48.0	3.0	3.0	2.9	2.9	2.8	1.9	1.9	1.8	1.8	1.8	48.0
50.0	2.8	2.8	2.8	2.8	2.8	1.8	1.8	1.8	1.7	1.7	50.0
54.0	2.5	2.5	2.5	2.5	2.6	1.7	1.6	1.6	1.6	1.6	54.0
58.0	2.2	2.3	2.3	2.3	2.3	1.5	1.5	1.5	1.5	1.5	58.0
62.0	1.9	2.0	2.0	2.0	2.1	1.4	1.4	1.4	1.4	1.4	62.0
66.0	1.5	1.6	1.7	1.7	1.8	1.2	1.2	1.2	1.2	1.3	66.0
70.0	1.2	1.3	1.3	1.4	1.4		1.0	1.1	1.1	1.2	70.0
74.0				1.0	1.0						74.0
78.0											78.0

Configuration : SF											
Radius		Boom Length (m)									Radius
		72.1									
m	28					36					m
	0°	10°	20°	30°	40°	0°	10°	20°	30°	40°	
20.0											20.0
22.0	3.5										22.0
24.0	3.5										24.0
26.0	3.5					2.1					26.0
28.0	3.5	3.4				2.1					28.0
30.0	3.5	3.4				2.1	2.1				30.0
32.0	3.5	3.4	3.3			2.1	2.1				32.0
34.0	3.5	3.3	3.3	3.2		2.1	2.1	2.0			34.0
36.0	3.5	3.3	3.2	3.2	3.1	2.1	2.0	2.0	1.9		36.0
38.0	3.4	3.3	3.2	3.1	3.0	2.1	2.0	2.0	1.9	1.9	38.0
40.0	3.3	3.2	3.1	3.0	3.0	2.1	2.0	1.9	1.9	1.9	40.0
42.0	3.2	3.1	3.0	2.9	2.9	2.0	2.0	1.9	1.8	1.9	42.0
44.0	3.1	3.1	2.9	2.9	2.8	2.0	1.9	1.8	1.8	1.8	44.0
46.0	3.1	3.0	2.9	2.8	2.8	1.9	1.8	1.8	1.7	1.7	46.0
48.0	3.0	2.9	2.8	2.7	2.7	1.8	1.8	1.7	1.7	1.7	48.0
50.0	2.9	2.8	2.7	2.7	2.7	1.7	1.7	1.7	1.6	1.6	50.0
54.0	2.6	2.6	2.6	2.6	2.6	1.6	1.6	1.5	1.5	1.5	54.0
58.0	2.3	2.3	2.4	2.4	2.5	1.4	1.4	1.4	1.4	1.4	58.0
62.0	1.9	2.0	2.1	2.1	2.2	1.3	1.3	1.3	1.3	1.3	62.0
66.0	1.6	1.7	1.8	1.8	1.9	1.1	1.1	1.1	1.1	1.2	66.0
70.0	1.3	1.4	1.5	1.5	1.6					1.0	70.0
74.0		1.1	1.1	1.2	1.2						74.0
78.0											78.0
82.0											82.0